

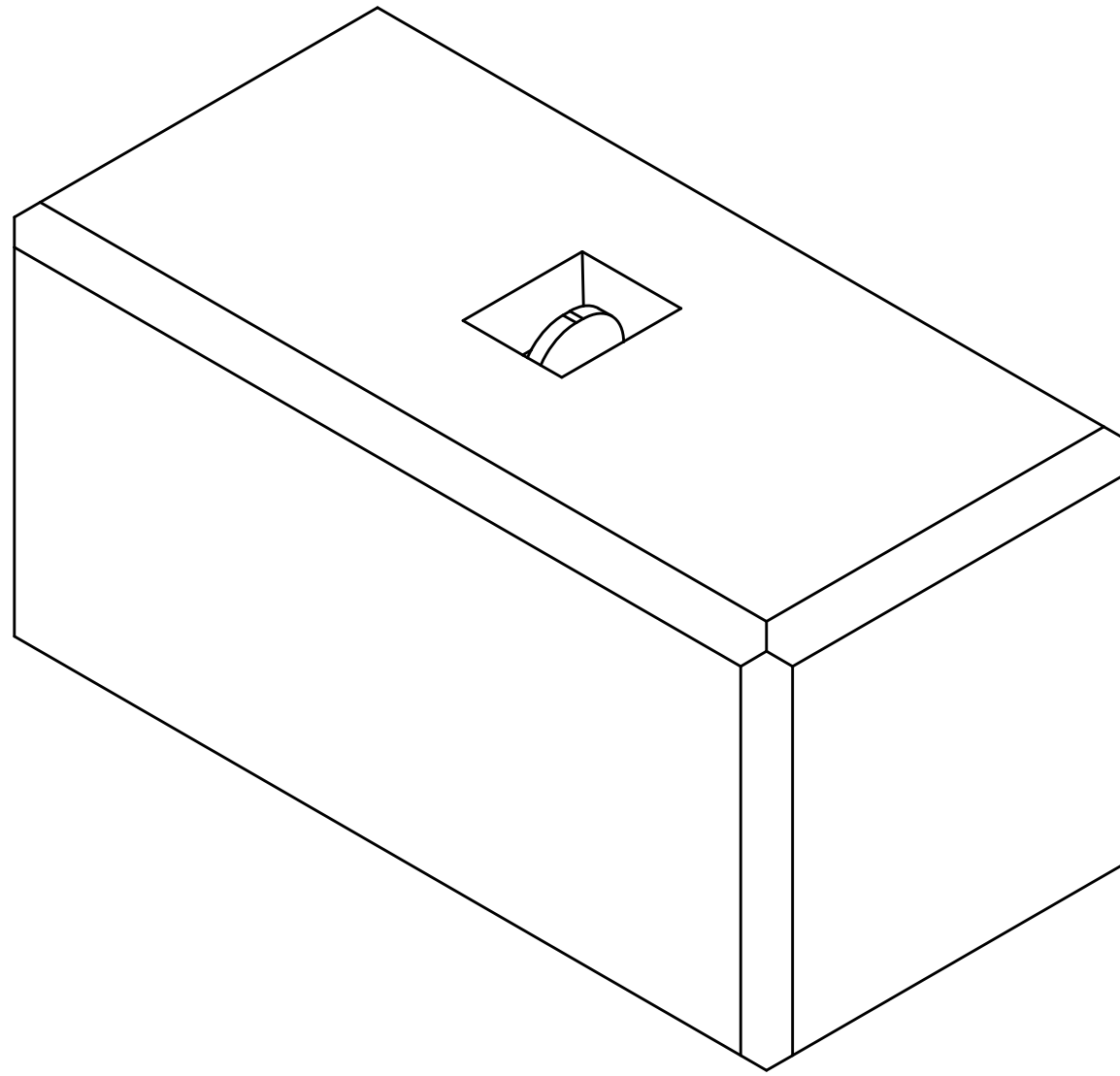
1 2 3 4 5 6



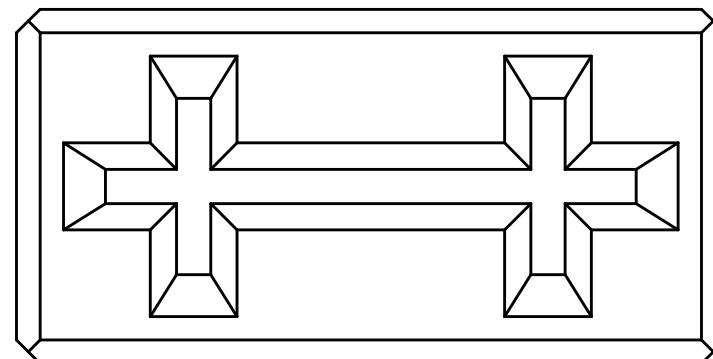
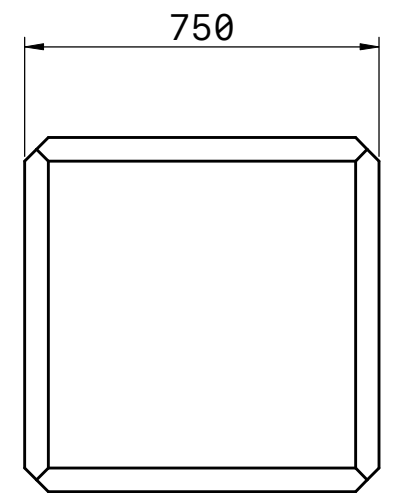
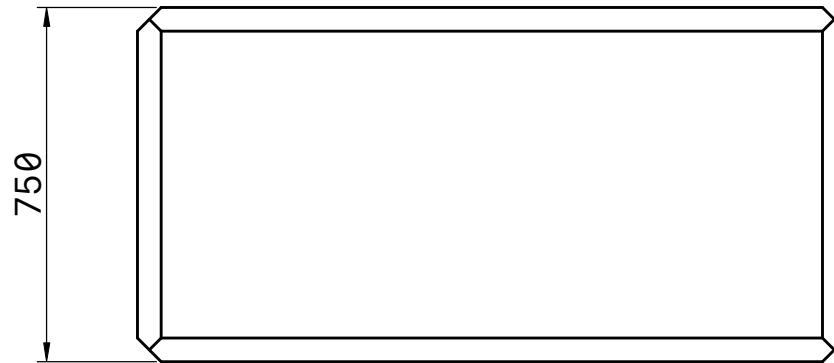
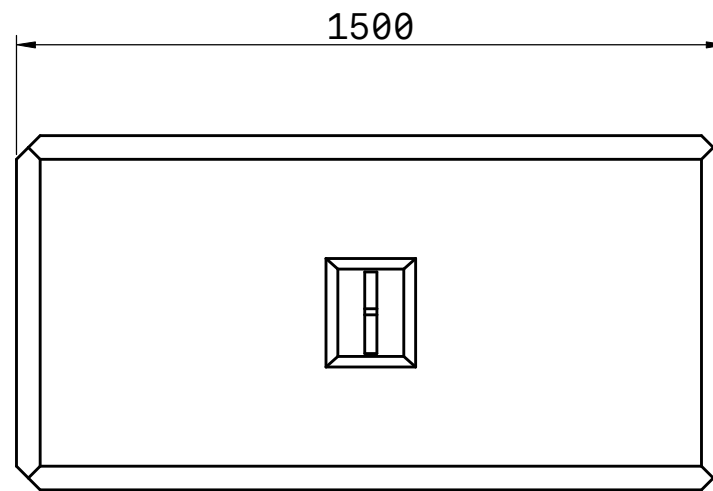
**LOCK-BLOCK™  
ALBERTA**

A  
B  
C  
D  
E  
F  
G  
H

A  
B  
C  
D  
E  
F  
G  
H



SCALE 1:10



1 2 3 4 5 6

TITLE <b>Two-Keyed Flat-Top</b>		
UNITS mm	PROJ. ANG. 	SIZE A3
SCALE 1:16	LAST UPDATED 02/22/24	SHEET 1/1