

1

2

3

4

5

6



**LOCK-BLOCK™
ALBERTA**

A

B

C

D

E

F

G

H

A

B

C

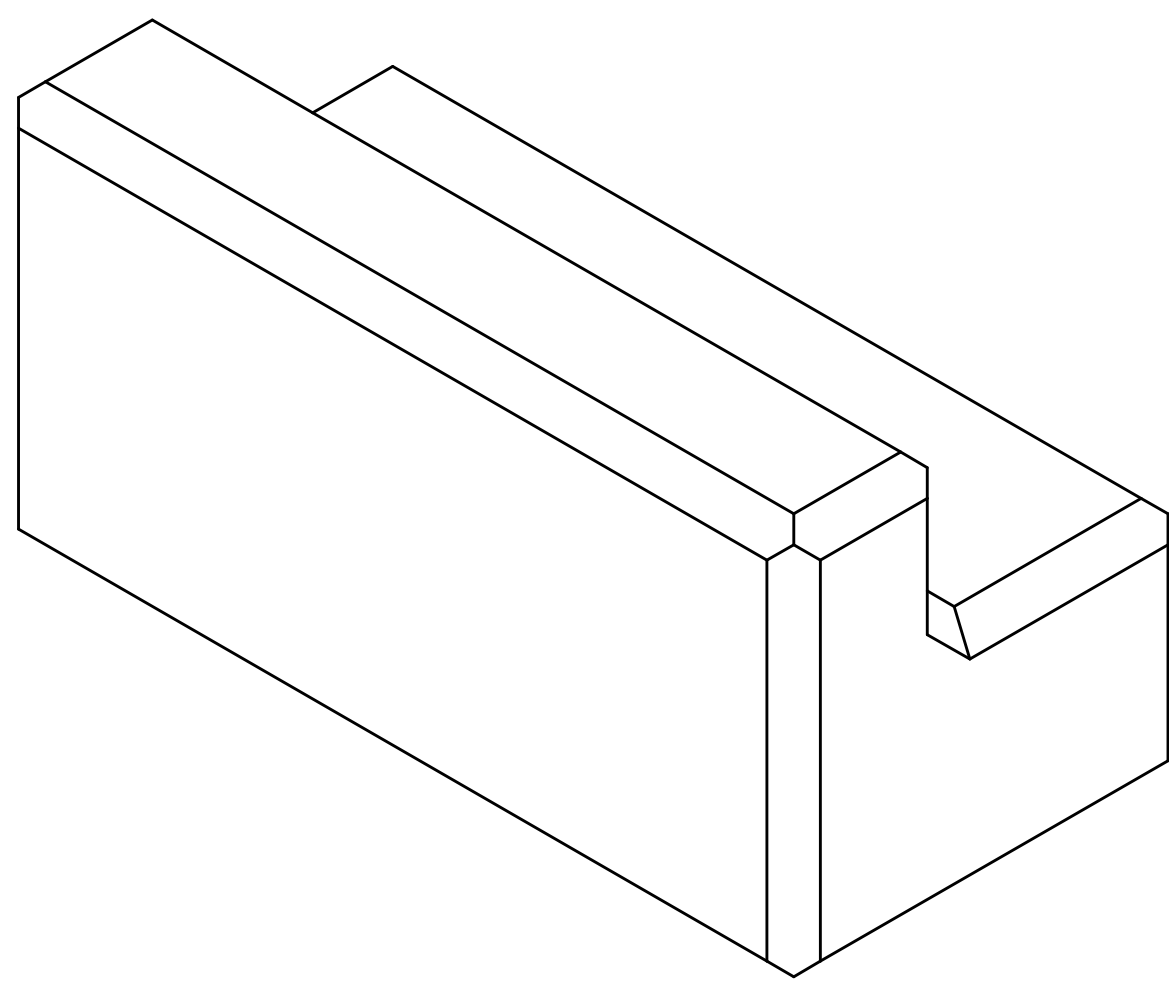
D

E

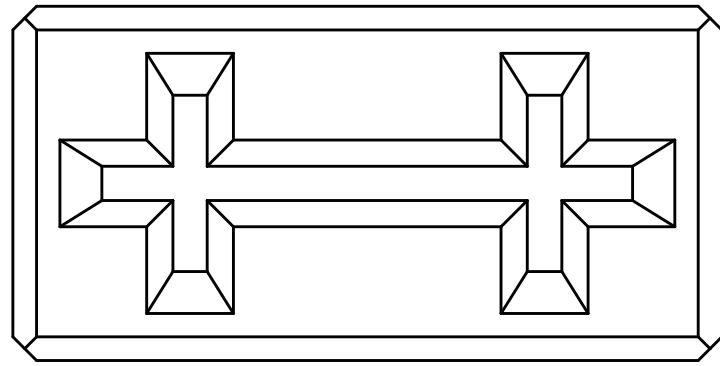
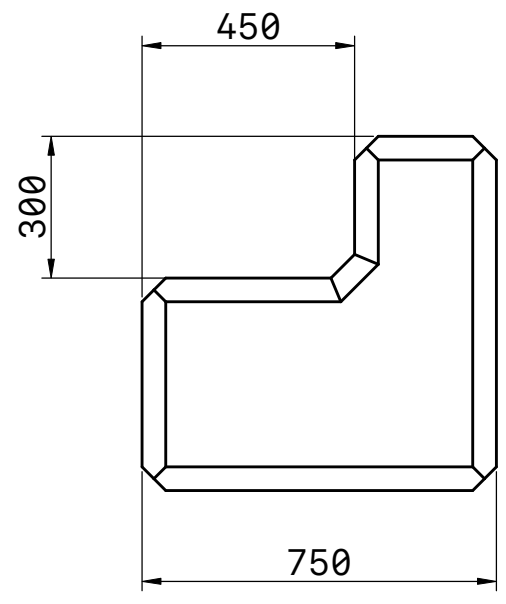
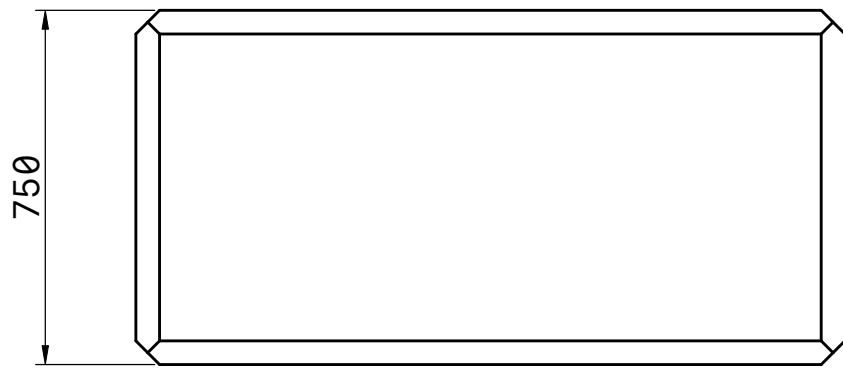
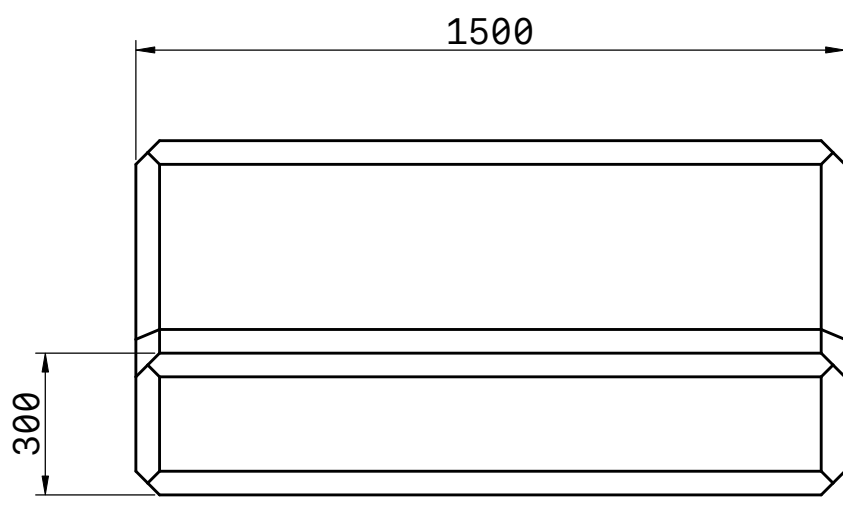
F

G

H



SCALE 1:10



TITLE Two-Keyed Bench		
UNITS mm	PROJ. ANG. 	SIZE A3
SCALE 1:16	LAST UPDATED 02/22/24	SHEET 1/1

1

2

3

4

5

6