

1

2

3

4

5

6



**LOCK-BLOCK™  
ALBERTA**

A

A

B

B

C

C

D

D

E

E

F

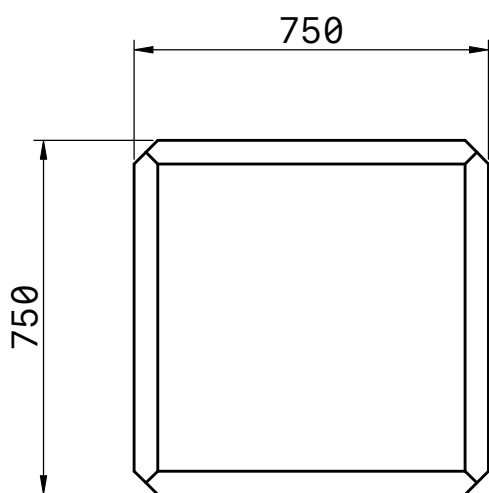
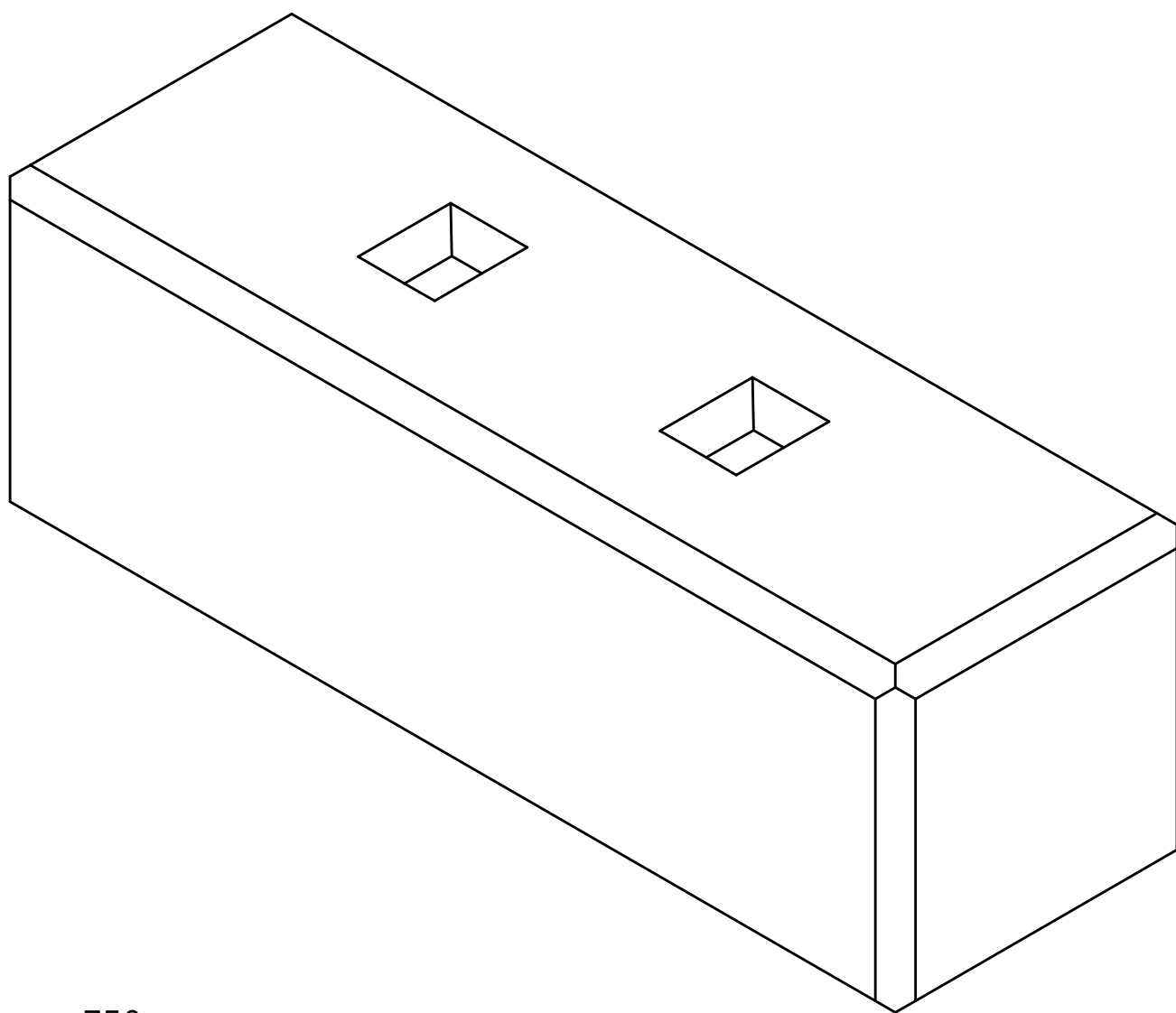
F

G

G

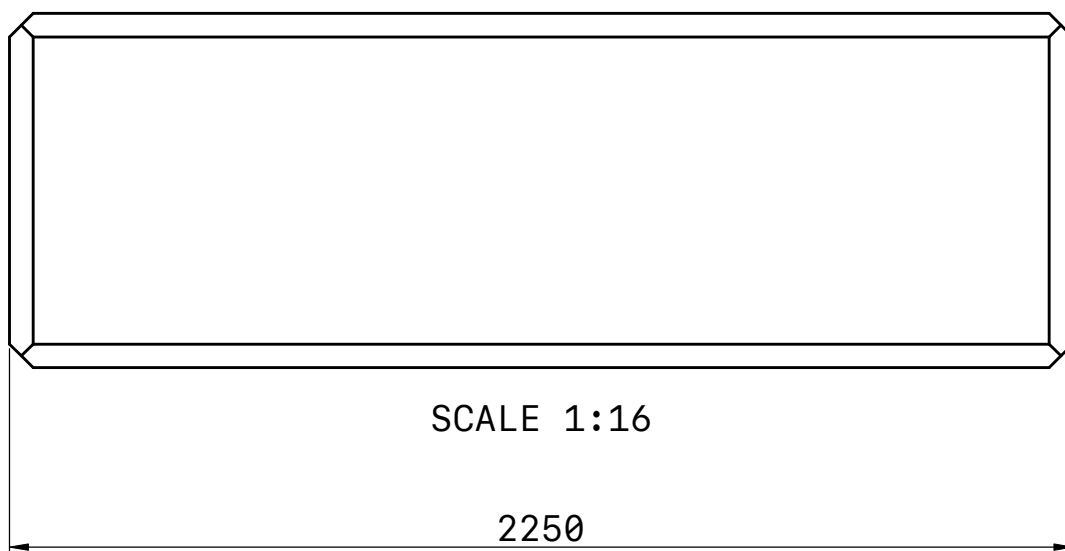
H

H



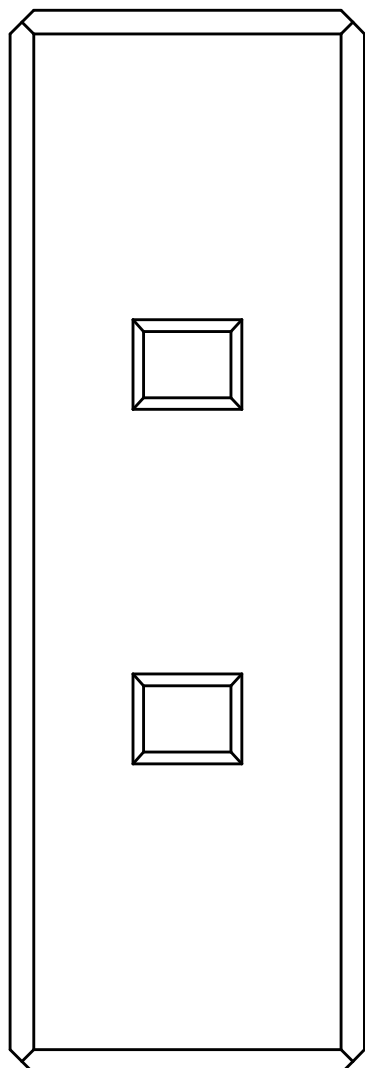
SCALE 1:16

SCALE 1:12



SCALE 1:16

2250



SCALE 1:16

TITLE <b>Three-Cross Flat-Top</b>		
UNITS mm	PROJ. ANG. 	SIZE A3
SCALE 1:25	LAST UPDATED 04/10/24	SHEET 1/1

1

2

3

4

5

6