

1

2

3

4

5

6



**LOCK-BLOCK™
ALBERTA**

A

A

B

B

C

C

D

D

E

E

F

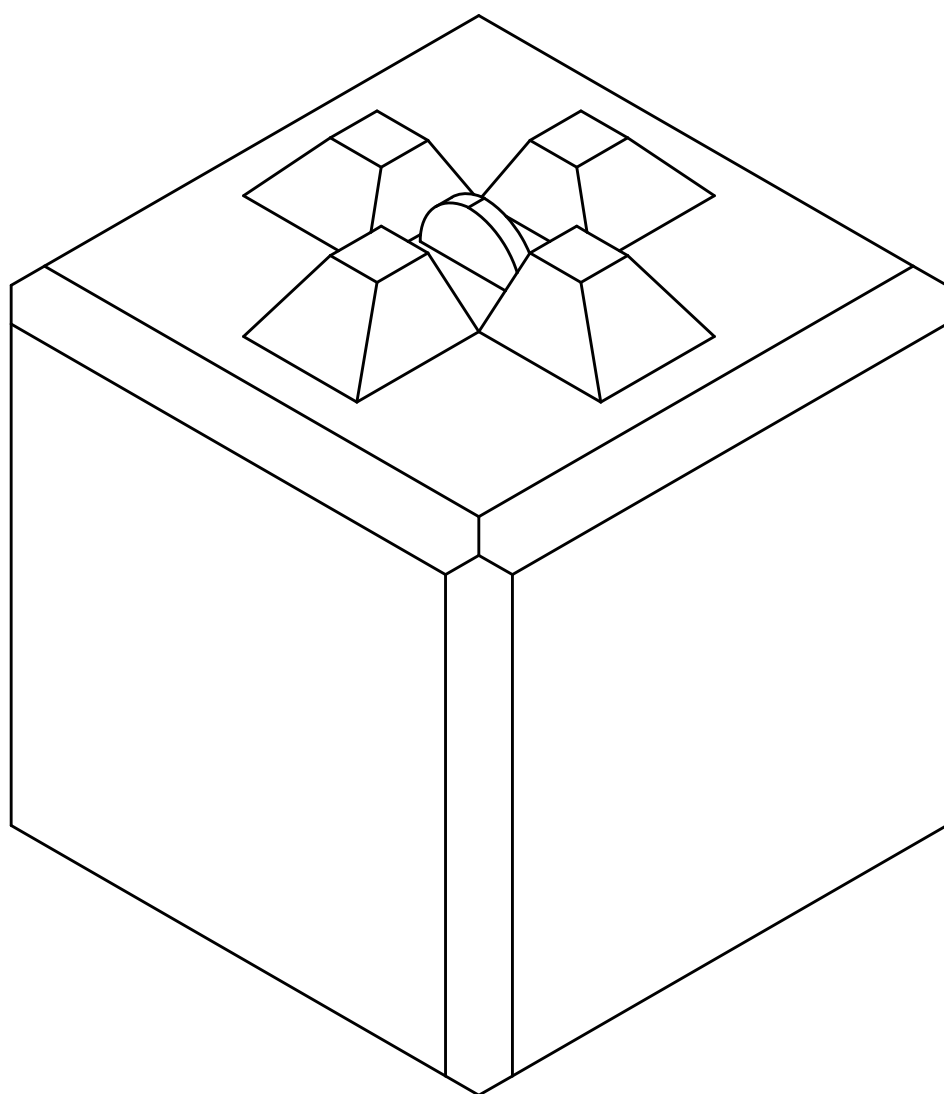
F

G

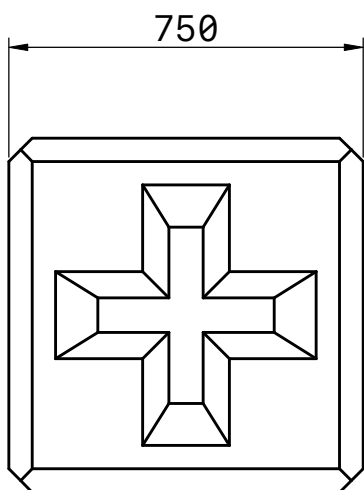
G

H

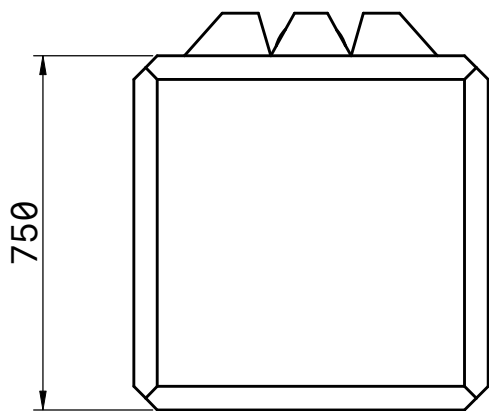
H



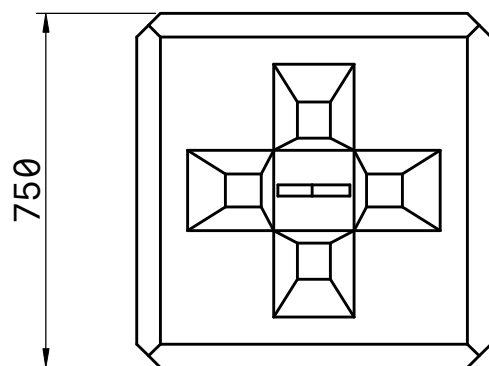
SCALE 1:8



SCALE 1:16



SCALE 1:16



SCALE 1:16

TITLE One Keyed Lock-Block		
UNITS mm	PROJ. ANG. 	SIZE A3
SCALE 1:9	LAST UPDATED 02/22/24	SHEET 1/1

1

2

3

4

5

6