

1

2

3

4

5

6

A

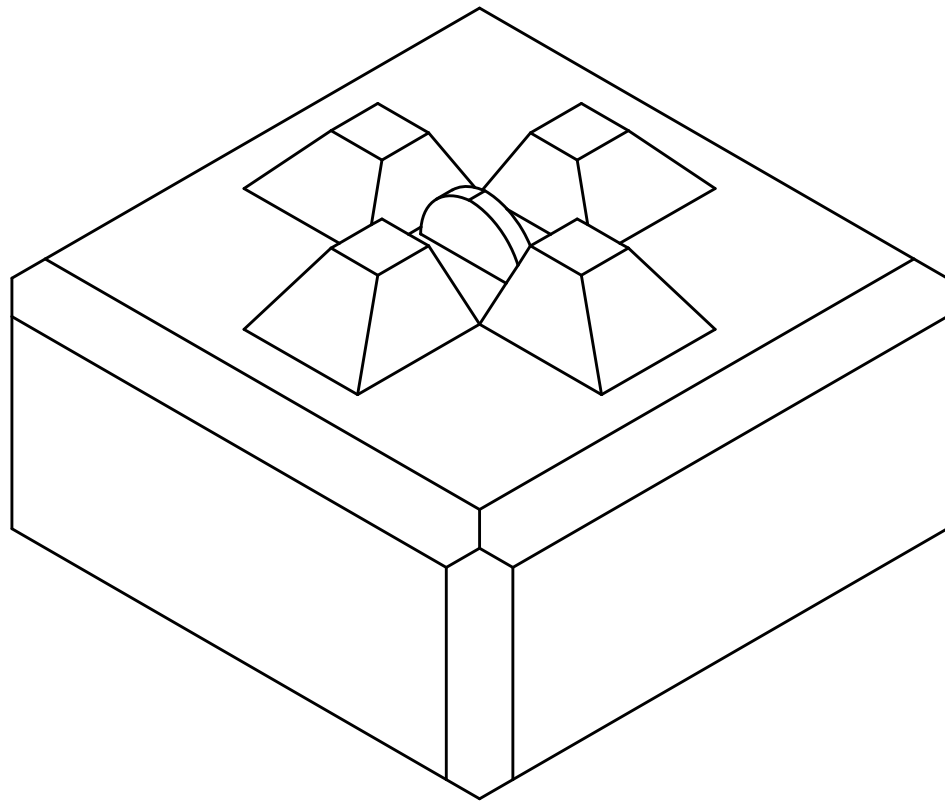
A



**LOCK-BLOCK™
ALBERTA**

B

B



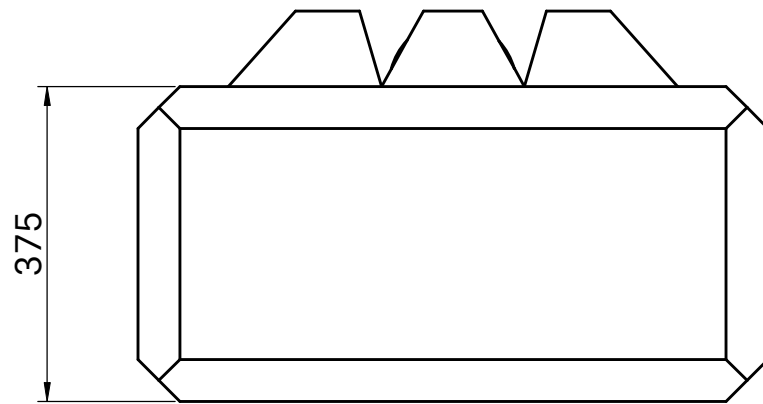
SCALE 1:8

C

C

D

D

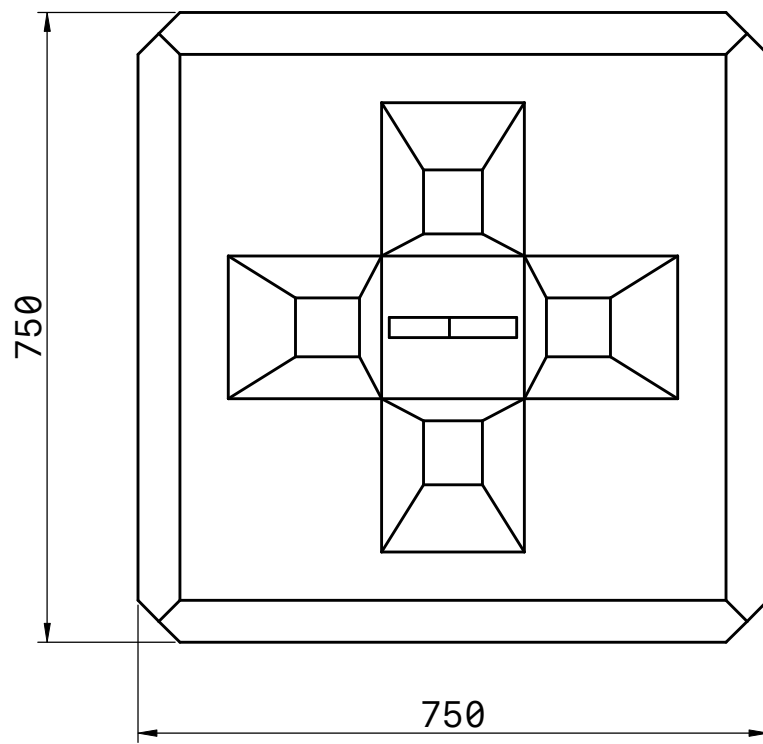


E

E

F

F



G

G

H

H

1

2

3

4

5

6

TITLE One Cross Half Lock-Blo...		
UNITS mm	PROJ. ANG. 	SIZE A3
SCALE 1:9	LAST UPDATED 04/17/24	SHEET 1/1