

1

2

3

4

5

6

A

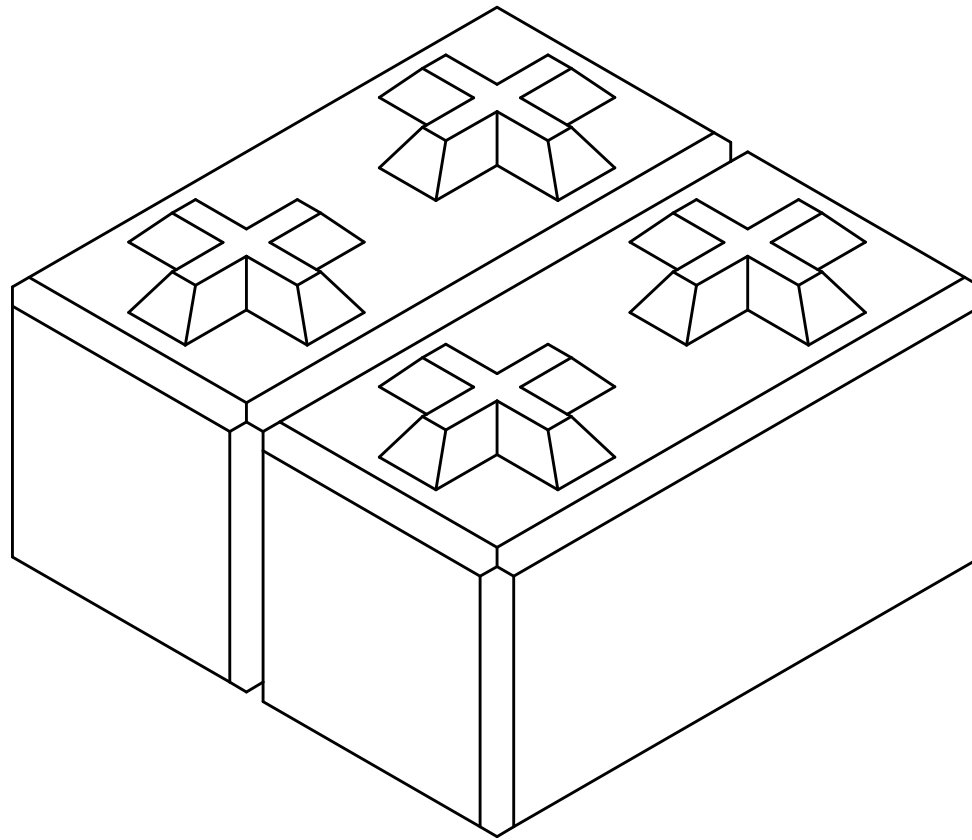
A



**LOCK-BLOCK™
ALBERTA**

B

B



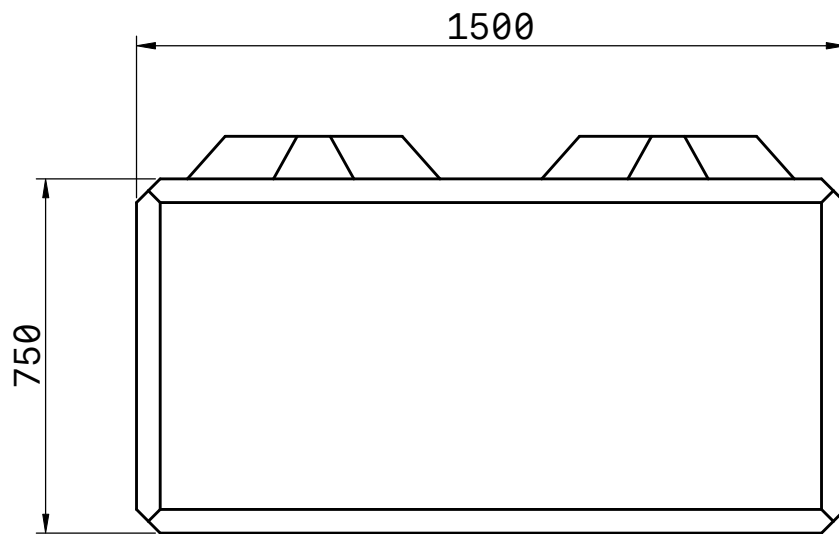
C

C

SCALE 1:16

D

D



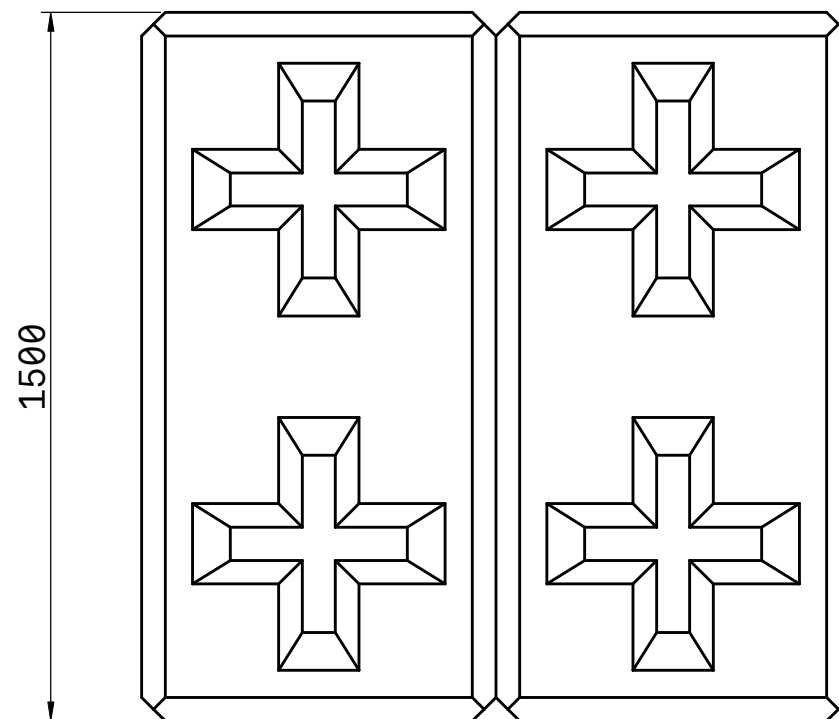
E

E

SCALE 1:16

F

F



G

G

SCALE 1:16

H

H

TITLE Double Wide Lock-Block		
UNITS mm	PROJ. ANG. 	SIZE A3
SCALE 1:20	LAST UPDATED 04/17/24	SHEET 1/1

1

2

3

4

5

6